



MINOR 25

A powerful full size sweeper compactly packaged for a versatile and unique performer.



BIG ON PERFORMANCE
COMPACT IN SIZE



MINOR 25

The Minor 25 is one of the most versatile and unique road sweepers in the world.

Our mini truck-mounted machine boasts several unique features including a distinctive brush configuration, powerful suction performance and a large hopper and water capacity.

With the efficient Stage V turbocharged Deutz power unit, single-pedal control, compact dimensions and a unique sweeping pattern allied to outstanding versatility, the single-engine Minor 25 represents class-leading performance no matter how you choose to measure it.

The custom-built chassis provides both a smooth ride and a tight turning circle, meaning the Minor 25 can be tasked with not only sweeping in congested city centres but also travelling and sweeping in remote locations. For this reason, this machine is ideal for many applications from urban or suburban heavy-duty street cleansing to food and packaging warehouses, parklands and airport perimeters.



CORROSION
AND ABRASION
RESISTANT
HOPPER

4 STAR EUNITED
PM10/2.5
CERTIFICATION



Unbeatable flexibility with performance to match:

SIZE:	4.5 tonne GVW
SWEeper SPEED:	0-16mph/0.25kph
HOPPER CAPACITY:	2.5 cubic metres
WATER TANK:	450 litres
ENGINE:	Deutz TCD 2.9L4
TYPICAL PAYLOAD:	1800kg
SWEEP WIDTH:	2170mm single/2340mm dual

Standard specification

- Scarab CANbus control panel incorporating operational information, data logging and self diagnosis
- Ergonomically designed cab
- Stainless steel hopper
- 450 litre corrosion resistant water tank

EXCEPTIONAL SWEEPING PERFORMANCE

The Minor 25 has a trailed, robust, steel suction nozzle for durability, complete with trailed side brush, widesweep brush and optional front brush assemblies, all fitted with water nozzles for dust suppression.

The Minor 25 can also be configured with a number of options to enhance sweeping performance. The rear wander hose option allows cleaning of awkward areas and gulleys. The additional of our optional dual sweep and double front brush configuration can provide a five-brush sweeping pattern giving the Minor 25 a swept width of up to 2.17 metres – this unrivaled performance makes for a full-size sweeper in a small package.



BIG ON PERFORMANCE COMPACT IN SIZE



INTUITIVE
CONTROLS

REAL-TIME
MONITORING



All Day Comfort

The comfortable, sound-proofed and driver friendly cab offers great all round visibility and has been ergonomically designed, with all sweeper functions being within easy reach. The Minor 25 benefits from multiple storage areas, cup holders and fully adjustable high backed seats, complete with headrests allowing you to work all day in comfort.

- Cruise control and power steering
- Comfy heated high backed seats
- Cab air conditioning
- Rubber mounted and sound insulated
- Easy to access instrumentation
- Radio/MP3/Bluetooth/12v socket

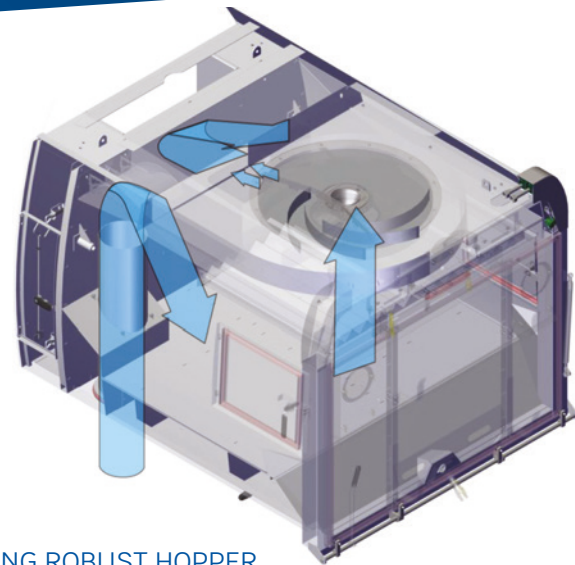
POWERFUL SUCTION PERFORMANCE

The stainless steel 800mm roof mounted impeller is ideally positioned to produce an efficient airflow path for high suction performance, providing reduced power consumption. While the particulate screening via a hinged, stainless steel mesh filter is pleated to give maximum surface area to reduce blocking.

The fan chamber allows for easy access for cleaning purposes.



Inside the Minor 25 hopper



STRONG ROBUST HOPPER

The hopper is completely manufactured from strong, corrosion and abrasion-resistant 4003 stainless steel, which is shot blasted before a two-pack epoxy primer is applied, followed by a hard-wearing topcoat.

Particulate screening via a hinged stainless-steel mesh filter – swings down for ease of cleaning and access to the stainless steel inlet cone.

POWER & CONTROL

SINGLE ENGINE, SINGLE EMISSION, NO COMPROMISE

The Minor 25 is Scarab's mini truck-mounted road sweeping solution. This machine boasts the manoeuvrability benefits of being a smaller machine with many of the powerful sweeping features from Scarab's industry leading single-engine truck-mounted solutions.

Scarab is the pioneer of the environmentally friendly single-engine truck-mounted sweeper and continue to lead the market in this field. As a result of the single engine system, the Minor 25 benefits from reduced fuel consumption, decreased noise and engine pollution, less weight, greater payload and reduced maintenance.



CANBUS CONTROL SYSTEM

Scarab's CANbus control system revolutionised the way sweepers are operated and maintained. It continues to evolve today to offer market leading sweeper control.

Our latest CANbus control system offers colour coded door-pod and pedestal controls with key sweeping functions visible at a glance, and comfortably within reach. The large graphical display clearly indicates sweeping configuration and provides the user with regular updates on the vehicle, including warnings and service reminders. What's more, with real-time data-logging built into the system, you can monitor your performance and keep your sweeper functioning at its very best.

Scarab's CANbus includes universal connectors for fitment of Global Positioning System (GPS) and the option of real-time data availability via telematics.



The Driving Force

The low-emission Stage V turbo charged Deutz power unit provides ample power at low RPM and its position, set low in the chassis, enhances vehicle stability. Access to all engine filters and service points is afforded by means of the tilting cab and raising the hopper.

The Scarab fluid drive system is directly coupled to the engine to provide power to the transmission and all hydraulic services. It ensures smooth and infinitely controllable drive characteristics in both sweep and travel modes as well as a quiet and efficient sweeping and suction performance.



The Minor 25 has been awarded the 4 Star EUcertified PM10/2.5 Certification and is capable of collecting and suppressing particulate matter sized less than 2.5µm.



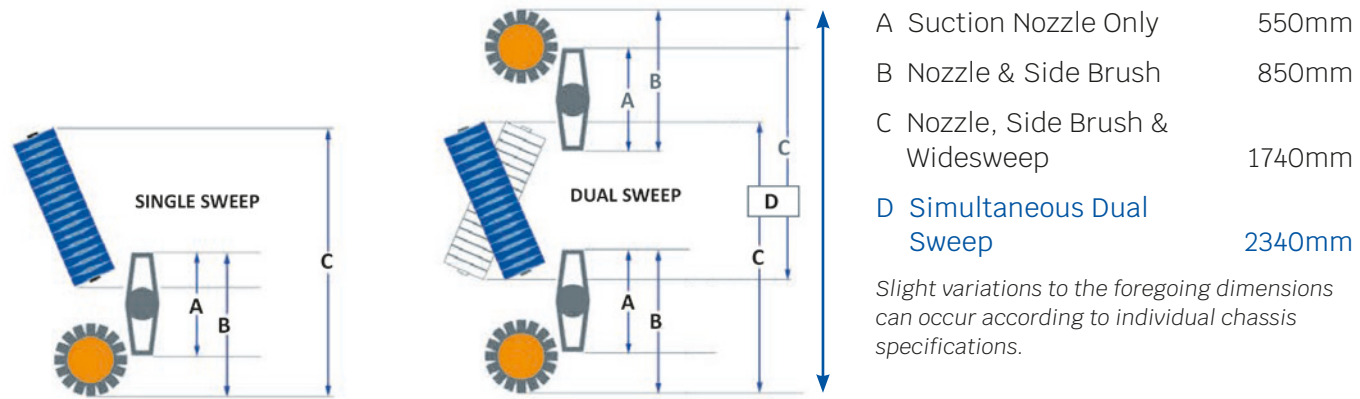
AFTER SALES SUPPORT

Our dedicated After Sales team are frontline ambassadors of Scarab Sweepers and it's their aim to provide you with the highest level of support for the lifetime of your vehicle, delivered through:

- Industry renowned after sales care
- A range of extended warranty options
- A choice of 'Service', and 'Repair and Maintenance' solutions to suit your needs.

STANDARD FEATURES

SWEEPING WIDTHS



WEIGHTS AND DIMENSIONS

TYPICAL PAYLOAD POTENTIAL

Standard specification
4.5 tonne - up to 1800kg

SCARAB EQUIPMENT WEIGHT

In dual sweep configuration 4500kg

TYPICAL DIMENSIONAL DATA

Length overall	4230mm
Wheelbase	2155mm
Width overall	1650mm
Overall height	hopper lowered 2245mm

CAPACITIES

Hoppers*	Voided volume 2.1m ³ Payload volume 2.5m ³
Water tank	450 litres

* Calculated in accordance with European Standard EN15429



MADE IN BRITAIN, TRUSTED WORLDWIDE

Scarab's machines are proudly Made In Britain and trusted by clients worldwide. Crafted at our facility in Marden, Kent, our dedicated team of experts are responsible for ensuring that every single one of our products effortlessly blends tradition with technology.

MINOR 25

www.scarab-sweepers.com

Dealership



SCARAB SWEEPERS LTD

Pattenden Lane, Marden,
Tonbridge, Kent,
United Kingdom TN12 9QD

TEL +44 (0)1622 831006

www.scarab-sweepers.com



SCARAB ♦ Leave nothing behind