

MAGNUM 82

Scarab's flagship truck-mounted sweeping solution, the pinnacle of sweeping performance and design.



PEAK PERFORMANCE
SPECIALIST APPLICATIONS

MAGNUM 82

REDUCED FUEL
CONSUMPTION

REDUCED
MAINTENANCE

DECREASED
NOISE AND
ENGINE
POLLUTION

The high-performance single-engine sweeper, offered with a range of specialist options to suit every application.

The Magnum 82 is Scarab's flagship sweeper. Thanks to its class-leading, powerful suction, high-specification and rugged build, the Magnum 82 is suited for all civil works and specialist applications included airport runway and aprons, milling work and high-pressure surface cleaning.

What's more, Scarab's innovative single-engine system and intuitive CANbus control and diagnostic system make the Magnum 82 one of our most versatile machines with exceptional suction power, excellent endurance and host of options to suit specialist requirements.



PEAK PERFORMANCE SPECIALIST APPLICATIONS

LESS
WEIGHT



The high-performance single-engine sweeper, offered with a range of specialist options to suit every application:

SIZE:	18 tonne GVW
SWEEPING SPEED:	0 - 20mph/0 - 32kph
HOPPER CAPACITY:	8.2 cubic metres
WATER TANK:	1800 - 4300 litres
ENGINE:	Single Engine Hydrostatic
TYPICAL PAYLOAD:	6000 - 10000kg
SWEEP WIDTH:	Single sweep – 2465mm Dual sweep – 3400mm Sliding auxiliary brush & dual sweep – 3900mm

Standard specification

- Stainless steel hopper
- Scarab high speed fan configuration
- Scarab CANbus control panel incorporating operational information, data logging and self diagnosis
- 1800 - 4300 litre corrosion resistant water tank



Shot blasting the stainless steel hopper

STRONG, ROBUST HOPPER

The hopper is completely manufactured from strong, corrosion and abrasion-resistant 4003 stainless steel, which is shot blasted before a two-pack epoxy primer is applied followed by a hard-wearing topcoat.

Particulate screening, via a hinged stainless steel mesh filter, swings down for ease of cleaning and provide access to the stainless steel inlet cone.





- Trailed widesweep brush is adjustment-free and designed to ensure parallel usage.
- Short suction hoses are an easy and low-cost replacement and are simple to clean.
- Trailed channel brush mechanism with adjustable brush-pressure control option.
- Trailed, robust, steel suction nozzle for durability.
- Adjustable dust-suppression jets for use with the low pressure water system.
- High pressure water option: from HP pump 125 bar, 163 litre/min to HP pump 330 bar, 120 litre/min dependant upon your requirements.

EXTENSIVE SWEEPING CAPABILITIES

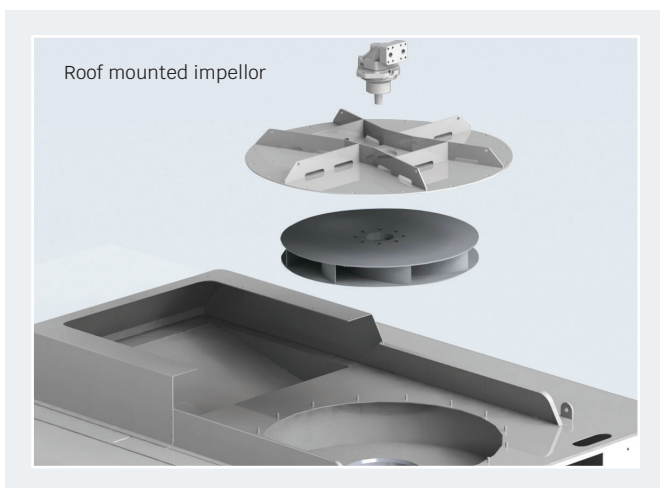
The Magnum 82 is available in both single and optional dual sweep configuration. When the suction nozzle, side brush and widesweep functions are in operation the Magnum 82 can sweep at a 2465mm width. However, the brushes can reach an impressive 3400mm span when simultaneously dual sweeping and the side sliding auxiliary brush and dual sweep option reaches 3900mm.

With variable brush speeds, optional down pressure and swivelling widesweep, the Magnum 82 is proficient in any sweeping application.

POWERFUL & RELIABLE SUCTION PERFORMANCE

Scarab's high-speed fan solution is capable of delivering exceptional performance across a range of heavy duty applications. A stainless steel roof mounted impeller is positioned to produce an efficient airflow path for high suction performance and reduced power consumption.

Particulate screening via a hinged, stainless steel mesh filter is pleated to give maximum surface area and reduce blocking – it also swings down for ease of cleaning.



POWER & CONTROL

SINGLE ENGINE, SINGLE EMISSION, NO COMPROMISE

Scarab is the pioneer of the environmentally friendly single-engine truck-mounted sweeper and continues to lead the market in this field. As a result of our single engine system, the Magnum 82 benefits from reduced fuel consumption, decreased noise and engine pollution, less weight, greater payload and reduced maintenance.



CANBUS CONTROL SYSTEM

Scarab's CANbus control system revolutionised the way sweepers are operated and maintained. It continues to evolve today to offer market leading sweeper control.

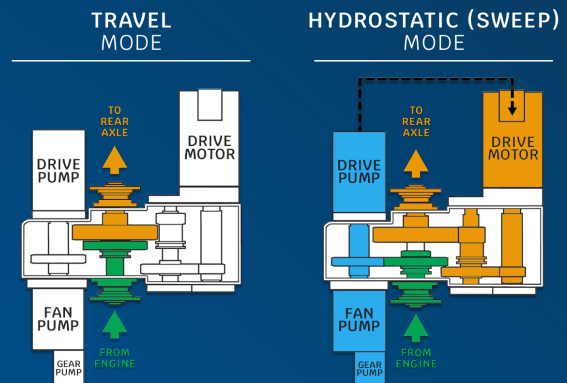
Our latest CANbus control system offers colour coded door-pod and pedestal controls with key sweeping functions visible at a glance, and comfortably within reach. The large graphical display clearly indicates sweeping configuration and provides the user with regular updates on the vehicle, including warnings and service reminders. What's more, with real-time data-logging built into the system, you can monitor your performance and keep your sweeper functioning at its very best. Scarab's CANbus includes universal connectors for fitment of Global Positioning System (GPS) and the option of real-time data availability via telematics.

“Scarab are at the cutting edge of developing innovative solutions to be more efficient with dust collection, reducing noise pollution and lowering carbon footprints”.



Innovative Hydrostatic Drive System

The Scarab designed hydrostatic gearbox is installed in the chassis driveline and allows the sweeping components to be powered directly from the chassis engine. As well bringing a range of benefits such as reduced weight, increased payload, reduced fuel consumption and lower emissions, it also offers a range of operator benefits with its simple joystick control for forward and reverse, allowing single-pedal control which reduces fatigue and enables the driver to fully concentrate on sweeping.



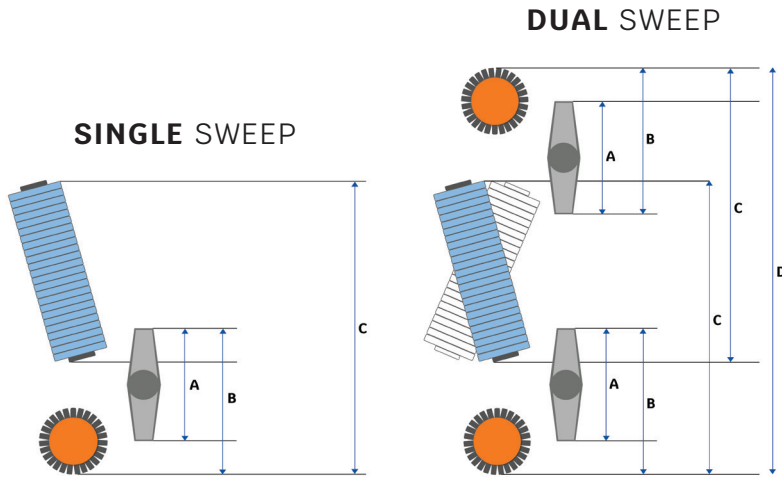
AFTER SALES SUPPORT

Our dedicated After Sales team are Scarab Sweepers' front-line ambassadors and it's their aim to provide you with the highest level of support for the lifetime of your vehicle, delivered through:

- **Industry renowned after sales care.**
- **A range of extended warranty options.**
- **A choice of 'Service', or 'Repair and Maintenance' solutions to suit your needs.**

STANDARD FEATURES/OPTIONS

SWEEPING WIDTHS (based on a typical 18 tonne GVW chassis)



A Suction nozzle only	840mm
B Nozzle & side brush	1235mm
C Nozzle, side brush & widesweep	2465mm
D Simultaneous dual sweep	3400mm
E* Side sliding auxiliary brush & dual sweep option	3900mm

Slight variations to the foregoing dimensions can occur according to individual chassis specifications.

**Chassis dependent option.*

WEIGHTS AND DIMENSIONS

PAYLOAD

Typical Payload Potential 6000 - 10000kg

TYPICAL DIMENSIONAL DATA

Length overall	7000 - 7450mm
Wheelbase	4000 - 4600mm
Width overall	2500mm
Overall height	
	hopper lowered 3300mm
	hopper raised 4800mm

CAPACITIES

Hopper*	Voided volume 8.2m ³ Payload volume 7.5m ³
Water tank**	1800 - 4300 litres

* Calculated in accordance with European Standard EN15429

** The option of an additional water tank is available subject to chassis selected

STANDARD OPTIONS

WATER

- High-pressure/high volume pump with hand lance and self-retracting hose reel.
- Additional dust suppression for suction nozzles (A 4-jet water-boost bar behind the nozzle).
- Additional dust suppression for suction tubes (four additional jets at the top of the suction tube).
- Detergent injection kit for use with the hand lance on difficult cleaning operations.
- Hydrant standpipe, key and 3 metres of 50mm lay-flat hose for on-task replenishment of water.
- Simultaneous wash and sweep facility.

BRUSHES

- Dual sweep (a second channel brush on opposite side of the sweeper + swivelling widesweep).
- Simultaneous dual sweep (both channel brushes and widesweep operate together).
- Auxiliary channel brush fitted ahead of standard brush on an sliding/swing-out mount.
- Adjustable pressure control for channel brushes and widesweep.
- Tilting brush.
- Vari brush (variable in/out brush control).

SUCTION SYSTEM

- Rear-mounted swing-out wander boom.
- Overhead-mounted wander boom.

MISCELLANEOUS

- CCTV camera to offside brush and/or rear of vehicle.
- Centralised lubrication system (either manual or automatic).
- Alternative or additional beacons.
- Fire extinguisher.

SPECIALIST OPTIONS

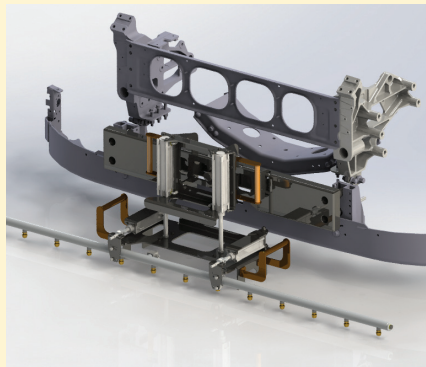
The Magnum 82 can be fitted with a number of additional options for specialist applications. The range of options includes a 2.5 metre full-width suction nozzle system mounted to the rear of the vehicle and a high-pressure

water system that ensures efficient cleaning of any road surface. Additionally, the Magnum 82 can be fitted with a fully articulating spray bar controlled from within the cab that can slew from left to right, as well as raise and lower.



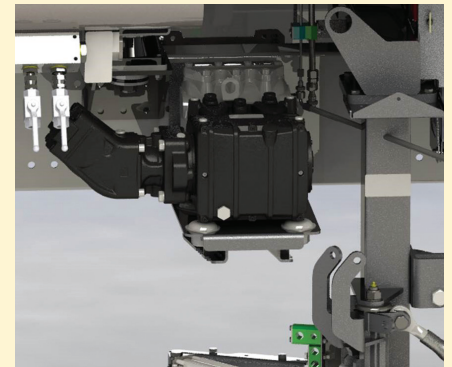
REAR SUCTION

A full-width suction nozzle system is mounted to the rear of the vehicle to provide the minimal possible envelope, while also retaining a full 2.5-metre suction width. By coupling our rear suction option with a high-pressure water system, the machine can provide clean, surface-dressed surfaces that are ready for the application of the final wearing course. Additionally, the full-floating nature of our rear suction unit allows for the unpredictability of surface imperfections. Scarab can also offer options for chipping collection and high-pressure washing.



FRONT SPRAY BAR SYSTEM

Our fully adjustable slewing spray bar system, with pneumatic articulation, enables the operator to get full utilisation from a chosen water pump system. These bars can slew left to right depending on the kerbside and also lift and lower to allow safer stowage and protection from damage.



HIGH PRESSURE AND HIGH VOLUME WATER OPTIONS

To allow optimal cleaning of the road surface, we can offer a range of high-pressure or high-volume water pump options, depending on the exact operational requirements. These options are mounted on the chassis behind the cab and incorporate an independent hydraulic system, thus allowing zero performance drop in any condition.



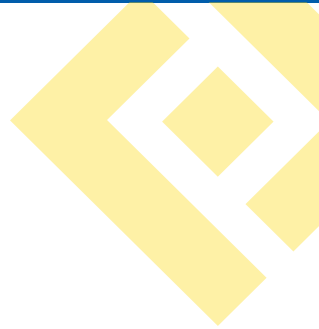
MADE IN BRITAIN, TRUSTED WORLDWIDE

The Magnum 82 can be fitted to a wide range of 18 - 19+ tonne GVW chassis including those from DAF, Iveco, MAN, Mercedes, Volvo, Renault and more. For details on suitable chassis specifications, please contact your local distributor.

MAGNUM 82

www.scarab-sweepers.com

Dealership



SCARAB SWEEPERS LTD

Pattenden Lane, Marden,
Tonbridge, Kent,
United Kingdom TN12 9QD

TEL +44 (0)1622 831006
www.scarab-sweepers.com